


PROFIT DISTRIBUTION RATIO AND WEIGHTAGES OF POOL (PKR)

Bank Alfalah Limited - Islamic Banking is pleased to declare the current Weightages for Jan 2020 and two previous periods which are applicable on its Savings / Term deposits Accounts. These Weightages are used to calculate the distribution of profit as per the requirements of Shariah on the basis of Modarabah model.

The profit sharing ratio between bank and investor before deduction of Tax would be as follows:

ISLAMIC DEPOSIT PRODUCTS		Jan 2020	Dec 2019	Nov 2019
	PROFIT SHARING RATIO			
	Share of Mudarib	50%	50%	50%
	Share of Rabbul Maal	50%	50%	50%

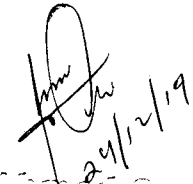
Falah Mahana Amdani	Weightages	Weightages	Weightages
Falah Mahana Amdani 1 To 499.99 K	0.7604	0.7692	0.7890
Falah Mahana Amdani 500 K To 24.99 M	1.1374	1.1507	1.1803
Saving Deposits-LCY	Weightages	Weightages	Weightages
Saving Musharikhah 0 To 9.99 K	0.5304	0.5366	0.5504
Saving Musharikhah 10 K To 99.99 K	0.5329	0.5391	0.5530
Saving Musharikhah 100 K To 499.99 K	0.5341	0.5404	0.5543
Saving Musharikhah 500 K To 999.99 K	0.5367	0.5429	0.5569
Saving Musharikhah 1 M To 4.99 M	0.5404	0.5467	0.5608
Saving Musharikhah 5 M To 9.99 M	0.5467	0.5531	0.5673
Saving Musharikhah 10 M To 24.99 M	0.5530	0.5595	0.5738
Saving Musharikhah 25 M To 49.99 M	0.5593	0.5658	0.5804
Saving Musharikhah 50 M To 99.99 M	0.5656	0.5722	0.5869
Saving Musharikhah 100 M To 499.99 M	0.5718	0.5785	0.5934
Saving Musharikhah 500 M & Above	0.5907	0.5976	0.6130
Falah Mush Prem Saving Account	Weightages	Weightages	Weightages
Falah Business Account - 1 To 999.99 K	0.5844	0.5912	0.6064
Falah Business Account - 1 M To 4.99 M	0.5957	0.6027	0.6182
Falah Business Account - 5 M To 9.99 M	0.6083	0.6154	0.6312
Falah Business Account - 10 M To 24.99 M	0.6209	0.6281	0.6443
Falah Business Account - 25 M To 49.99 M	0.6548	0.6624	0.6795
Falah Business Account - 50 M To 99.99 M	0.6686	0.6764	0.6938
Falah Business Account - 100 M To 149.99 M	0.6787	0.6866	0.7043
Falah Business Account - 150 M To 199.99 M	0.6850	0.6930	0.7108
Falah Business Account - 200 M To 499.99 M	0.7164	0.7247	0.7434


 Ovais Ahmed Qari
 Resident
 Shariah Board Member
 Bank Alfalah Limited
 Islamic Banking Group

Falah Business Account - 500 M & 999.99M	0.7918	0.8010	0.8216
Falah Business Account - 1 Bn To 1.99Bn	0.8169	0.8265	0.8477
Falah Business Account - 2 Bn & Above	0.8232	0.8328	0.8542
Falah Classic SavingsAccount	Weightages	Weightages	Weightages
Falah Classic Saving Account	0.5304	0.5366	0.5504

AlFalah Islamic Asaan Saving Account	Weightages	Weightages	Weightages
AlFalah Islamic Asaan Saving Account	0.5304	0.5366	0.5504

AlFalah islamic premium TDR	Weightages	Weightages	Weightages
AlFalah Islamic One Month Premium Term Deposit - 5 M To 24.99 M	1.3196	1.3351	1.3694
AlFalah Islamic One Month Premium Term Deposit - 25 M To 99.99 M	1.5082	1.5258	1.5650
AlFalah Islamic One Month Premium Term Deposit - 100 M To 199.99 M	1.5710	1.5894	1.6302
AlFalah Islamic One Month Premium Term Deposit - 200 M To 299.99 M	1.5723	1.5906	1.6315
AlFalah Islamic One Month Premium Term Deposit - 300 M To 499.99 M	1.5735	1.5919	1.6328
AlFalah Islamic One Month Premium Term Deposit - 500 M To 999.99 M	1.5748	1.5932	1.6341
AlFalah Islamic One Month Premium Term Deposit - 1 Bn & Above	1.5773	1.5957	1.6354
AlFalah Islamic Three Month Premium Term Deposit - 5 M To 24.99 M	1.3209	1.3363	1.3707
AlFalah Islamic Three Month Premium Term Deposit - 25 M To 99.99 M	1.5094	1.5271	1.5663
AlFalah Islamic Three Month Premium Term Deposit - 100 M To 199.99 M	1.5735	1.5919	1.6328
AlFalah Islamic Three Month Premium Term Deposit - 200 M To 299.99 M	1.5748	1.5932	1.6341
AlFalah Islamic Three Month Premium Term Deposit - 300 M To 499.99 M	1.5760	1.5944	1.6354
AlFalah Islamic Three Month Premium Term Deposit - 500 M To 999.99 M	1.5773	1.5957	1.6367
AlFalah Islamic Three Month Premium Term Deposit - 1 Bn & Above	1.5785	1.5970	1.6380
AlFalah Islamic Six Month Premium Term Deposit - 5 M To 24.99 M	1.3222	1.3376	1.3720
AlFalah Islamic Six Month Premium Term Deposit - 25 M To 99.99 M	1.5107	1.5283	1.5676
AlFalah Islamic Six Month Premium Term Deposit - 100 M To 199.99 M	1.5748	1.5932	1.6341
AlFalah Islamic Six Month Premium Term Deposit - 200 M To 299.99 M	1.5760	1.5944	1.6354
AlFalah Islamic Six Month Premium Term Deposit - 300 M To 499.99 M	1.5773	1.5957	1.6367
AlFalah Islamic Six Month Premium Term Deposit - 500 M To 999.99 M	1.5785	1.5970	1.6380
AlFalah Islamic Six Month Premium Term Deposit - 1 Bn & Above	1.5798	1.5983	1.6394
AlFalah Islamic 1 Year Premium Term Deposit - 5 M To 24.99 M	1.3234	1.3389	1.3733
AlFalah Islamic 1 Year Premium Term Deposit - 25 M To 99.99 M	1.5119	1.5296	1.5689
AlFalah Islamic 1 Year Premium Term Deposit - 100 M To 199.99 M	1.5760	1.5944	1.6354
AlFalah Islamic 1 Year Premium Term Deposit - 200 M To 299.99 M	1.5773	1.5957	1.6367
AlFalah Islamic 1 Year Premium Term Deposit - 300 M To 499.99 M	1.5785	1.5970	1.6380
AlFalah Islamic 1 Year Premium Term Deposit - 500 M To 999.99 M	1.5798	1.5983	1.6394


 Credit Officer
 Islamic Banking Group

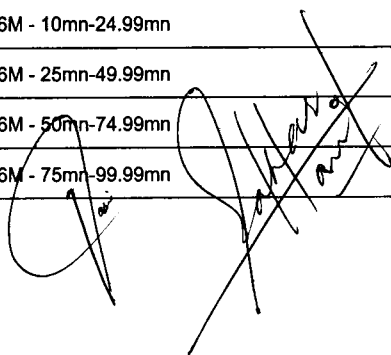
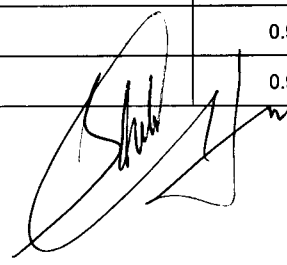
AlFalah Islamic 1 Year Premium Term Deposit - 1 Bn & Above	1.5811	1.5995	1.6407
AlFalah Islamic 1 Year Premium Term Deposit Mth - 5 M To 24.99 M	1.3259	1.3414	1.3759
AlFalah Islamic 1 Year Premium Term Deposit Mth - 25 M To 99.99 M	1.5145	1.5321	1.5715
AlFalah Islamic 1 Year Premium Term Deposit Mth - 100 M To 199.99 M	1.5773	1.5957	1.6367
AlFalah Islamic 1 Year Premium Term Deposit Mth - 200 M To 299.99 M	1.5785	1.5970	1.6380
AlFalah Islamic 1 Year Premium Term Deposit Mth - 300 M To 499.99 M	1.5798	1.5983	1.6394
AlFalah Islamic 1 Year Premium Term Deposit Mth - 500 M To 999.99 M	1.5811	1.5995	1.6407
AlFalah Islamic 1 Year Premium Term Deposit Mth - 1 Bn & Above	1.5823	1.6008	1.6420
TDR Falah 2Y Mahana Munafa	Weightages	Weightages	Weightages
TDR Falah 2Y Mahana Munafa - Tierwise 100 K To 499.99 K	0.9112	0.9218	0.9455
TDR Falah 2Y Mahana Munafa - Tierwise 500 K To 999.99 K	0.9200	0.9307	0.9547
TDR Falah 2Y Mahana Munafa - Tierwise 1M To 4.99 M	0.9263	0.9371	0.9612
TDR Falah 2Y Mahana Munafa - Tierwise 5 M To 9.99 M	0.9325	0.9434	0.9677
TDR Falah 2Y Mahana Munafa - Tierwise 10 M To 24.99 M	0.9376	0.9485	0.9729
TDR Falah 2Y Mahana Munafa - Tierwise 25 M To 49.99 M	0.9451	0.9562	0.9807
TDR Falah 2Y Mahana Munafa - Tierwise 50 M To 74.99 M	0.9514	0.9625	0.9873
TDR Falah 2Y Mahana Munafa - Tierwise 75 M To 99.99 M	0.9539	0.9651	0.9899
TDR Falah 2Y Mahana Munafa - Tierwise 100 M To 149.99 M	0.9652	0.9765	1.0016
TDR Falah 2Y Mahana Munafa - Tierwise 150 M To 199.99 M	0.9665	0.9778	1.0029
TDR Falah 2Y Mahana Munafa - Tierwise 200 M To 499.99 M	0.9828	0.9943	1.0199
TDR Falah 2Y Mahana Munafa - Tierwise 500 M & Above	1.0532	1.0655	1.0929
TDR Falah 4Y Mahana Munafa	Weightages	Weightages	Weightages
TDR Falah 4Y Mahana Munafa - Tierwise 100 K To 499.99 K	0.8923	0.9028	0.9260
TDR Falah 4Y Mahana Munafa - Tierwise 500 K To 999.99 K	0.9212	0.9320	0.9560
TDR Falah 4Y Mahana Munafa - Tierwise 1M To 4.99 M	0.9275	0.9384	0.9625
TDR Falah 4Y Mahana Munafa - Tierwise 5 M To 9.99 M	0.9338	0.9447	0.9690
TDR Falah 4Y Mahana Munafa - Tierwise 10 M To 24.99 M	0.9388	0.9498	0.9742
TDR Falah 4Y Mahana Munafa - Tierwise 25 M To 49.99 M	0.9464	0.9574	0.9820
TDR Falah 4Y Mahana Munafa - Tierwise 50 M To 74.99 M	0.9527	0.9638	0.9886
TDR Falah 4Y Mahana Munafa - Tierwise 75 M To 99.99 M	0.9552	0.9663	0.9912
TDR Falah 4Y Mahana Munafa - Tierwise 100 M To 149.99 M	0.9690	0.9803	1.0055
TDR Falah 4Y Mahana Munafa - Tierwise 150 M To 199.99 M	0.9703	0.9816	1.0068
TDR Falah 4Y Mahana Munafa - Tierwise 200 M To 499.99 M	0.9853	0.9968	1.0225
TDR Falah 4Y Mahana Munafa - Tierwise 500 M & Above	1.0557	1.0680	1.0955

Owais Ahmed Qazi
 Chartered Accountant
 Islamic Banking Group

SBP Borrowing on ILTF Plant&Mac	Weightages	Weightages	Weightages
SBP ILTF - Textile Sector - 3Years	0.4399	0.4450	0.4565
SBP ILTF - Textile Sector - 5Years	0.3142	0.3179	0.3260
SBP ILTF - Textile Sector - 10Years	0.2514	0.2543	0.2608
SBP ILTF - Non Textile Sector - 3years	0.5656	0.5722	0.5869
SBP ILTF - Non Textile Sector - 5years	0.4399	0.4450	0.4565
SBP ILTF - Non Textile Sector - 10years	0.3770	0.3814	0.3913
Alfa Term Deposit - Islamic (LCY)	Weightages	Weightages	Weightages
Alfa Term Deposit - Islamic (LCY) 500 & Above-One Month-Maturity (Subject to Launch)	0.5316	0.5378	0.5517
Alfa Term Deposit - Islamic (LCY) 500 & Above-Three Months-Maturity (Subject to Launch)	0.5329	0.5391	0.5530
Alfa Term Deposit - Islamic (LCY) 500 & Above-Six Months-Maturity (Subject to Launch)	0.5341	0.5404	0.5543
Alfa Term Deposit - Islamic (LCY) 500 & Above-One Year-Maturity (Subject to Launch)	0.5354	0.5417	0.5556
Alfa Term Deposit - Islamic (LCY) 500 & Above-Two Years-Maturity (Subject to Launch)	0.5367	0.5429	0.5569
Alfa Term Deposit - Islamic (LCY) 500 & Above-Three Years-Maturity (Subject to Launch)	0.5379	0.5442	0.5582
Alfa Term Deposit - Islamic (LCY) 500 & Above-Four Years-Maturity (Subject to Launch)	0.5392	0.5455	0.5595
Alfa Term Deposit - Islamic (LCY) 500 & Above-Five Years-Maturity (Subject to Launch)	0.5404	0.5467	0.5608
Alfa Term Deposit - Islamic (LCY) 500 & Above-One Month-Monthly (Subject to Launch)	0.5329	0.5391	0.5530
Alfa Term Deposit - Islamic (LCY) 500 & Above-Three Months-Monthly (Subject to Launch)	0.5341	0.5404	0.5543
Alfa Term Deposit - Islamic (LCY) 500 & Above-Six Months-Monthly (Subject to Launch)	0.5354	0.5417	0.5556
Alfa Term Deposit - Islamic (LCY) 500 & Above-One Year-Monthly (Subject to Launch)	0.5367	0.5429	0.5569
Alfa Term Deposit - Islamic (LCY) 500 & Above-Two Years-Monthly (Subject to Launch)	0.5379	0.5442	0.5582
Alfa Term Deposit - Islamic (LCY) 500 & Above-Three Years-Monthly (Subject to Launch)	0.5392	0.5455	0.5595
Alfa Term Deposit - Islamic (LCY) 500 & Above-Four Years-Monthly (Subject to Launch)	0.5404	0.5467	0.5608
Alfa Term Deposit - Islamic (LCY) 500 & Above-Five Years-Monthly (Subject to Launch)	0.5417	0.5480	0.5621
Renewable Energy	Weightages	Weightages	Weightages
Category I	0.3770	0.3814	0.3913
Category II	0.2514	0.2543	0.2608
Category III	0.3770	0.3814	0.3913
Islamic Financing Facility for Storage of Agriculture Produce	Weightages	Weightages	Weightages
Islamic Financing Facility for Storage of Agriculture Produce Up-to 3 years	0.4399	null	null
Islamic Financing Facility for Storage of Agriculture Produce Over 3 years and upto 5 years	0.4085	null	null
Islamic Financing Facility for Storage of Agriculture Produce Over 5 years and upto 7 years	0.3770	null	null
Islamic Financing Facility for Storage of Agriculture Produce Upto 10 years (only for SMEs)	0.2514	null	null
Islamic Deposit Products	Weightages	Weightages	Weightages
Falah TDR 1M - 100k-499k	0.8672	0.8773	0.8999

Handwritten signature and date: 24/12/19

Islamic Deposit Products	Weightages	Weightages	Weightages
Falah TDR 1M - 500k-999k	0.8735	0.8837	0.9064
Falah TDR 1M - 1mn-4.99mn	0.8798	0.8900	0.9129
Falah TDR 1M - 5mn-9.99mn	0.8860	0.8964	0.9194
Falah TDR 1M - 10mn-24.99mn	0.8923	0.9028	0.9260
Falah TDR 1M - 25mn-49.99mn	0.9062	0.9167	0.9403
Falah TDR 1M - 50mn-74.99mn	0.9124	0.9231	0.9468
Falah TDR 1M - 75mn-99.99mn	0.9137	0.9244	0.9481
Falah TDR 1M - 100mn-149.99mn	0.9238	0.9345	0.9586
Falah TDR 1M - 150mn-199.99mn	0.9300	0.9409	0.9651
Falah TDR 1M - 200mn-499.99mn	0.9615	0.9727	0.9977
Falah TDR 1M - 500mn-999.99mn	1.5082	1.5258	1.0694
Falah One Month Term Deposit - 1 Bn To 1.99 Bn	1.5107	1.5283	1.0759
Fal One Mon Trm Dep -2 Bn & Ab	1.5132	1.5309	1.0825
Falah TDR 3M - 100k-499k	0.8798	0.8900	0.9129
Falah TDR 3M - 500k-999k	0.8860	0.8964	0.9194
Falah TDR 3M - 1mn-4.99mn	0.8923	0.9028	0.9260
Falah TDR 3M - 5mn-9.99mn	0.8986	0.9091	0.9325
Falah TDR 3M - 10mn-24.99mn	0.9049	0.9155	0.9390
Falah TDR 3M - 25mn-49.99mn	0.9150	0.9256	0.9494
Falah TDR 3M - 50mn-74.99mn	0.9212	0.9320	0.9560
Falah TDR 3M - 75mn-99.99mn	0.9263	0.9371	0.9612
Falah TDR 3M - 100mn-149.99mn	0.9325	0.9434	0.9677
Falah TDR 3M - 150mn-199.99mn	0.9388	0.9498	0.9742
Falah TDR 3M - 200mn-499.99mn	0.9703	0.9816	1.0068
Falah TDR 3M - 500mn-999.99mn	1.5094	1.5271	1.0786
TDR 3 Months Tier-Wise - 1 Bn To 1.99 Bn	1.5396	1.5576	1.0851
TDR 3 Months Tier-Wise - 2 Bn	1.5396	1.5576	1.0916
Falah TDR 6M - 100k-499k	0.8923	0.9028	0.9260
Falah TDR 6M - 500k-999k	0.8986	0.9091	0.9325
Falah TDR 6M - 1mn-4.99mn	0.9049	0.9155	0.9390
Falah TDR 6M - 5mn-9.99mn	0.9112	0.9218	0.9455
Falah TDR 6M - 10mn-24.99mn	0.9175	0.9282	0.9520
Falah TDR 6M - 25mn-49.99mn	0.9238	0.9345	0.9586
Falah TDR 6M - 50mn-74.99mn	0.9300	0.9409	0.9651
Falah TDR 6M - 75mn-99.99mn	0.9363	0.9473	0.9716


27/2/19

Osaid Ahmad Oaid
 Senior Manager
 Islamic Banking Dept

Islamic Deposit Products	Weightages	Weightages	Weightages
Falah TDR 6M - 100mn-149.99mn	0.9388	0.9498	0.9742
Falah TDR 6M - 150mn-199.99mn	0.9451	0.9562	0.9807
Falah TDR 6M - 200mn-499.99mn	0.9765	0.9879	1.0133
Falah TDR 6M - 500mn-999.99mn	1.0457	1.0579	1.0851
Falah TDR 6M - (1 Bn TO 1.99Bn	1.0519	1.0642	1.0916
TDR 6 Months Tier-Wise - 2 Bn	1.0582	1.0706	1.0981
Falah TDR 1Y - 100k-499k	0.9049	0.9155	0.9390
Falah TDR 1Y - 500k-999k	0.9250	0.9358	0.9599
Falah TDR 1Y - 1mn-4.99mn	0.9313	0.9422	0.9664
Falah TDR 1Y - 5mn-9.99mn	0.9376	0.9485	0.9729
Falah TDR 1Y - 10mn-24.99mn	0.9439	0.9549	0.9794
Falah TDR 1Y - 25mn-49.99mn	0.9501	0.9612	0.9860
Falah TDR 1Y - 50mn-74.99mn	0.9564	0.9676	0.9925
Falah TDR 1Y - 75mn-99.99mn	0.9589	0.9701	0.9951
Falah TDR 1Y - 100mn-149.99mn	0.9703	0.9816	1.0068
Falah TDR 1Y - 150mn-199.99mn	0.9715	0.9829	1.0081
Falah TDR 1Y - 200mn-499.99mn	0.9891	1.0007	1.0264
Falah TDR 1Y - 500mn-999.99mn	1.0582	1.0706	1.0981
TDR 1 Year Tier-Wise - 1 Bn To 1.99 Bn	1.0645	1.0769	1.1046
TDR 1 Year Tier-Wise - 2 Bn	1.0708	1.0833	1.1112
Falah TDR 2Y - 100k-499k	0.9175	0.9282	0.9520
Falah TDR 2Y - 500k-999k	0.9263	0.9371	0.9612
Falah TDR 2Y - 1mn-4.99mn	0.9325	0.9434	0.9677
Falah TDR 2Y - 5mn-9.99mn	0.9388	0.9498	0.9742
Falah TDR 2Y - 10mn-24.99mn	0.9439	0.9549	0.9794
Falah TDR 2Y - 25mn-49.99mn	0.9514	0.9625	0.9873
Falah TDR 2Y - 50mn-74.99mn	0.9577	0.9689	0.9938
Falah TDR 2Y - 75mn-99.99mn	0.9602	0.9714	0.9964
Falah TDR 2Y - 100mn-149.99mn	0.9715	0.9829	1.0081
Falah TDR 2Y - 150mn-199.99mn	0.9728	0.9841	1.0094
Falah TDR 2Y - 200mn-499.99mn	0.9891	1.0007	1.0264
Falah TDR 2Y - 500mn-Above	1.0595	1.0719	1.0994
Falah TDR 3Y - 100k-499k	0.9300	0.9409	0.9651
Falah TDR 3Y - 500k-999k	0.9363	0.9473	0.9716
Falah TDR 3Y - 1mn-4.99mn	0.9426	0.9536	0.9781

Handwritten signatures and dates are present at the bottom of the page, including a date of 24/12/19.

Islamic Deposit Products	Weightages	Weightages	Weightages
Falah TDR 3Y - 5mn-9.99mn	0.9489	0.9600	0.9847
Falah TDR 3Y - 10mn-24.99mn	0.9552	0.9663	0.9912
Falah TDR 3Y - 25mn-49.99mn	0.9615	0.9727	0.9977
Falah TDR 3Y - 50mn-74.99mn	0.9677	0.9790	1.0042
Falah TDR 3Y - 75mn-99.99mn	0.9740	0.9854	1.0107
Falah TDR 3Y - 100mn-149.99mn	0.9803	0.9918	1.0173
Falah TDR 3Y - 150mn-199.99mn	0.9866	0.9981	1.0238
Falah TDR 3Y - 200mn-499.99mn	0.9929	1.0045	1.0303
Falah TDR 3Y - 500mn-Above	1.0607	1.0731	1.1007
Falah Term Deposit Certificate	0.9929	1.0045	1.0303
Falah TDR 5Y - 100k-499k	0.9426	0.9536	0.9781
Falah TDR 5Y - 500k-999k	0.9489	0.9600	0.9847
Falah TDR 5Y - 1mn-4.99mn	0.9552	0.9663	0.9912
Falah TDR 5Y - 5mn-9.99mn	0.9615	0.9727	0.9977
Falah TDR 5Y - 10mn-24.99mn	0.9677	0.9790	1.0042
Falah TDR 5Y - 25mn-49.99mn	0.9740	0.9854	1.0107
Falah TDR 5Y - 50mn-74.99mn	0.9803	0.9918	1.0173
Falah TDR 5Y - 75mn-99.99mn	0.9866	0.9981	1.0238
Falah TDR 5Y - 100mn-149.99mn	0.9929	1.0045	1.0303
Falah TDR 5Y - 150mn-199.99mn	0.9992	1.0108	1.0368
Falah TDR 5Y - 200mn-499.99mn	1.0054	1.0172	1.0433
Falah TDR 5Y - 500mn-Above	1.0557	1.0680	1.0955
Falah Mahana 1Y - 100k-499k	0.8986	0.9091	0.9325
Falah Mahana 1Y - 500k-999k	0.9187	0.9295	0.9534
Falah Mahana 1Y - 1mn-4.99mn	0.9250	0.9358	0.9599
Falah Mahana 1Y - 5mn-9.99mn	0.9313	0.9422	0.9664
Falah Mahana 1Y - 10mn-24.99mn	0.9376	0.9485	0.9729
Falah Mahana 1Y - 25mn-49.99mn	0.9439	0.9549	0.9794
Falah Mahana 1Y - 50mn-74.99mn	0.9501	0.9612	0.9860
Falah Mahana 1Y - 75mn-99.99mn	0.9527	0.9638	0.9886
Falah Mahana 1Y-100mn-149.99mn	0.9640	0.9752	1.0003
Falah Mahana 1Y-150mn-199.99mn	0.9652	0.9765	1.0016
Falah Mahana 1Y-200mn-499.99mn	0.9828	0.9943	1.0199
Falah Mahana 1Y - 500mn-999.99	1.0519	1.0642	1.0916
Falah Mahana 5Y - 100k-499k	1.4202	1.4368	1.4737

Handwritten signatures and dates are present at the bottom of the page, including a date '24/02/19' on the right side.

Handwritten text at the bottom right corner, possibly a name or title, including the date '24/02/19'.

Islamic Deposit Products	Weightages	Weightages	Weightages
Falah Mahana 5Y - 500k-999k	1.4328	1.4495	1.4868
Falah Mahana 5Y - 1mn-4.99mn	1.4453	1.4622	1.4998
Falah Mahana 5Y - 5mn-9.99mn	1.4579	1.4749	1.5128
Falah Mahana 5Y - 10mn-24.99mn	1.4705	1.4876	1.5259
Falah Mahana 5Y - 25mn-49.99mn	1.4830	1.5003	1.5389
Falah Mahana 5Y - 50mn-74.99mn	1.4956	1.5131	1.5520
Falah Mahana 5Y - 75mn-99.99mn	1.5207	1.5385	1.5781
Falah Mahana 5Y-100mn-149.99mn	1.5333	1.5512	1.5911
Falah Mahana 5Y-150mn-199.99mn	1.5459	1.5639	1.6041
Falah Mahana 5Y-200mn-499.99mn	1.5584	1.5766	1.6172
Falah Mahana 5Y - 500mn-Above	1.5710	1.5894	1.6302
TDR Falah 1Y Mahana Munafa - Tierwise 1 Bn To 1.99 Bn	1.0582	1.0706	1.0981
TDR Falah 1Y Mahana Munafa - Tierwise 2 Bn	1.0645	1.0769	1.1046
Alfalah Islamic Collection Savings Account	0.8860	0.8964	0.9194
Alfalah Islamic Recurring Value Deposit	1.1311	1.1443	1.1738
Alfalah Asaan Remittance saving account	0.5337	0.5415	0.5557
AlFalah Islamic Business Way	0.0050	0.0051	0.0052
Margin Accounts	0.0038	0.0038	0.0039
Islamic Financing Facility for Modernization of SMEs Upto 10years	0.2514	null	null

Group / Branch / Division
 Name / Designation / Title
 Mobile Number / Email ID